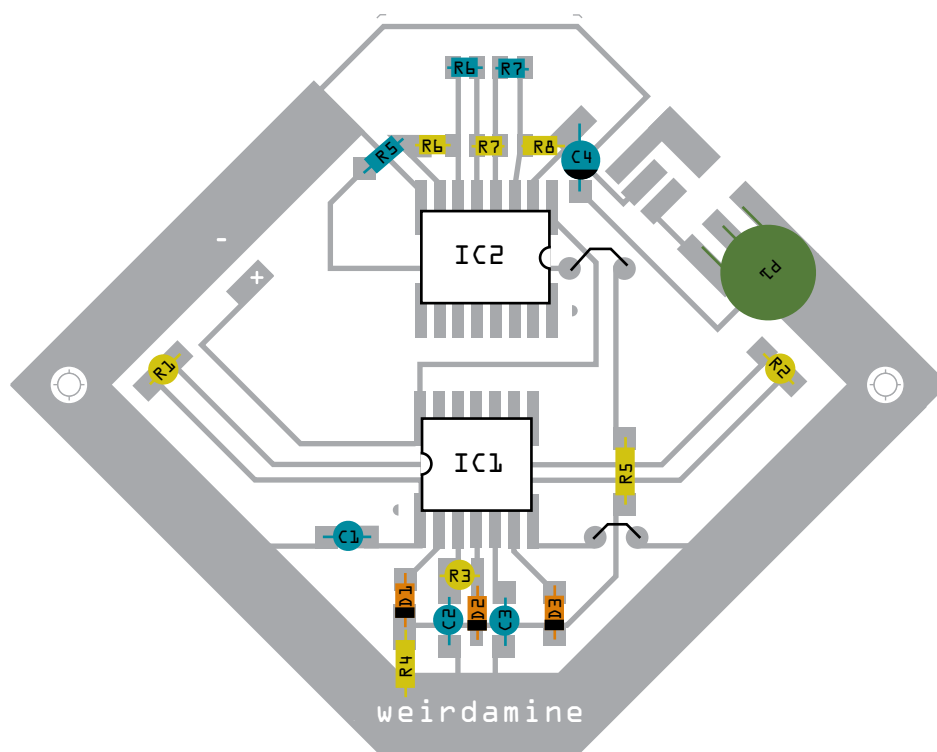




weirdamine
theremidi_orchestra_white_noise
matrix for PCB etching

colour:
100% CMYK black



Bill of materials:

- 3x light dependent resistor
- 2x 10kΩ resistor
- 3x 1MΩ resistor
- 1x 10k linear potentiometre
- 2x 330pF ceramic capacitor
- 1x 220pF ceramic capacitor
- 1x 10μF electrolyte capacitor
- 3x 100nF film capacitor
- 3x 1N4148 diode
- 2x chip holder
- 1x IC40106
- 1x IC4049
- 1x 9V battery holder / power supply
- 1x switch 3.5mm jack out
- 9cm wire for potentionetres (optional)

Technical requirements:

- solder
- soldering iron
- long-nose plier
- diagonal cutting plier
- table protection surface
- sponge for solder iron tip
- solder wick

Layout:

- | | |
|----------|-----------|
| R1 LDR | C4 10μF |
| R2 LDR | C5 100nF |
| R3 LDRvv | C6 100nF |
| R4 10kΩ | C7 100nF |
| R5 10kΩ | P1 10k |
| R6 1MΩ | D1 1N4148 |
| R7 1MΩ | D2 1N4148 |
| R8 1MΩ | D3 1N4148 |
| C1 330pF | IC1 40106 |
| C2 220pF | IC2 4049 |
| C3 330pF | |