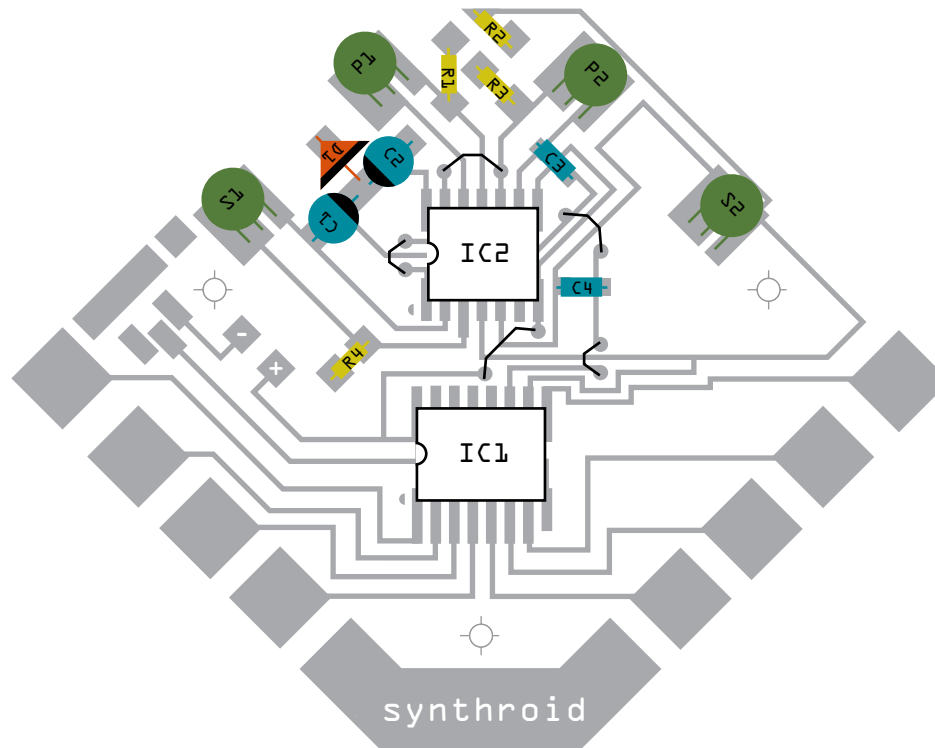


synthroid

theremidi_orchestra_polyphonic_synth
matrix for PCB etching

colour:
100% CMYK black



Bill of materials:

- 4X 220Ω resistor
- 2x 2kΩ linear potentiometre
- 2x 2MΩ linear potentiometre
- 3x 100nF film capacitor
- 2x 1μF electrolyte capacitor
- 1x led
- 2x chip holder
- 1x IC4040
- 1x IC4093
- 1x 9V battery holder / power supply
- 1x switch 3.5mm jack out
- 5x bridge wire
- 40cm wire for potentionetres (optional)
- 40cm wire for amplification antenna

Technical requirements:

- solder
- soldering iron
- long-nose plier
- diagonal cutting plier
- table protection surface
- sponge for solder iron tip
- solder wick

Layout:

R1 220Ω	C1 1μ
R2 220Ω	C2 1μ
R3 220Ω	C3 100n
R4 200Ω	C4 100n
P1 2k	D1 led
P2 2k	IC1 4040
S1 2M	IC2 4093
S2 2M	