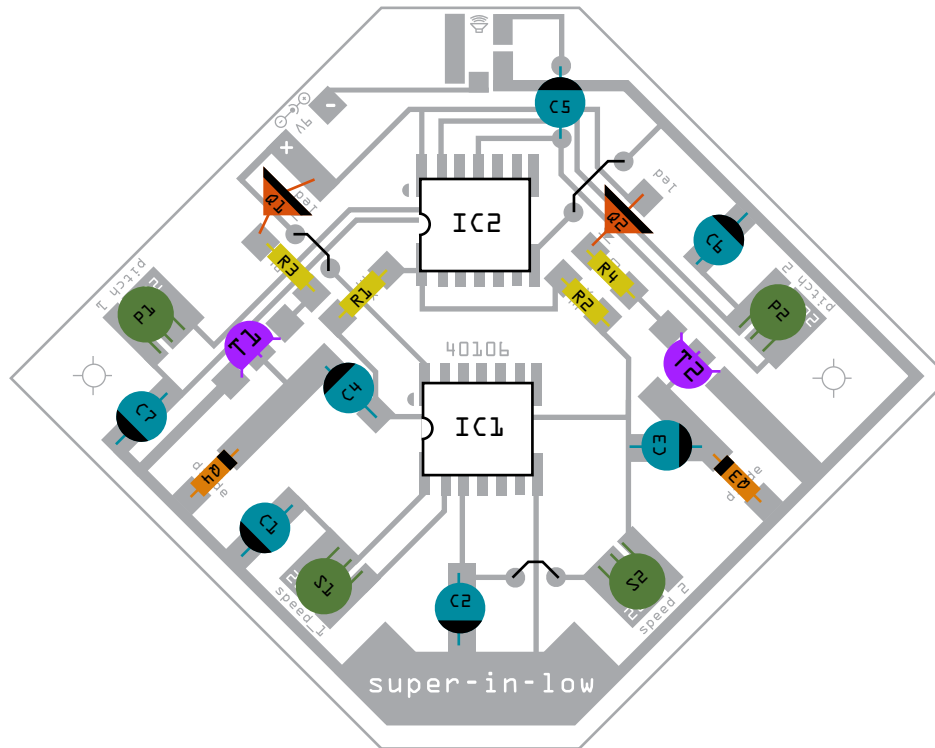


super-in-low  
theremidi\_orchestra\_lfo  
matrix for PCB etching

colour:  
100% CMYK black



#### Bill of materials:

2x 33k resistor  
2x 200Ω resistor  
4x 20k linear potentiometre  
1x 47μ electrolyte capacitor  
1x 100μ electrolyte capacitor  
3x 10μ electrolyte capacitor  
2x 1μ electrolyte capacitor  
2x led  
2x 1N4148 diode  
2x 2N3904 transistor  
2x chip holder  
1x IC40106  
1x IC4093  
1x 9V battery holder / power supply  
1x switch 3.5mm jack out  
40cm wire for potentionetres (optional)

#### Technical requirements:

solder  
soldering iron  
long-nose plier  
diagonal cutting plier  
table protection surface  
sponge for solder iron tip  
solder wick

#### Layout:

R1 33k	C5 10μ
R2 33k	C6 1μ
R3 200Ω	C7 1μ
R4 200Ω	D1 led
P1 20k	D2 led
P2 20k	Q3 1N4148
S1 20k	Q4 1N4148
S2 20k	T1 2N3904
C1 33μ	T2 2N3904
C2 100μ	IC1 40106
C3 10μ	IC2 4093
C4 10μ	